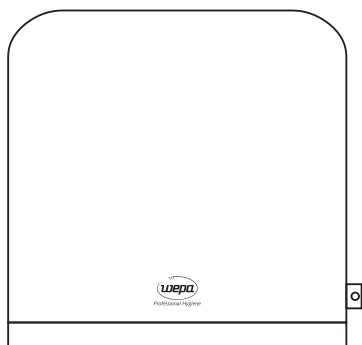




Professional Hygiene



folded towel dispenser

Falhandtuch-Spender

Distributeur essuie-mains pliés

Dozownik do ręczników składanych

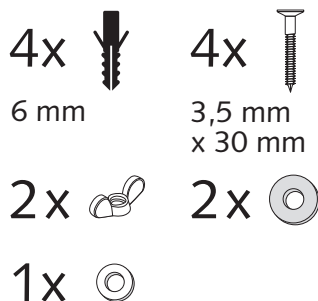
ASSEMBLY INSTRUCTIONS



+ 331010.1

Art. No.: 331020.1

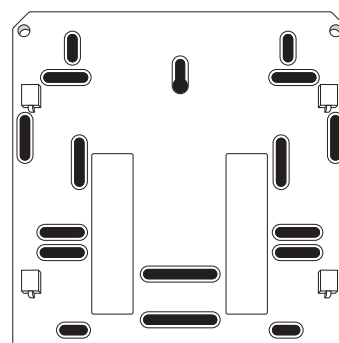
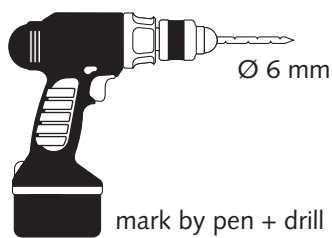
Supplied



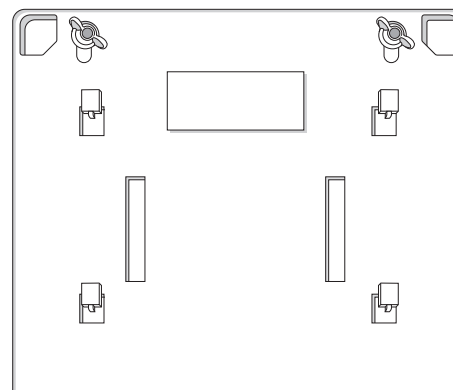
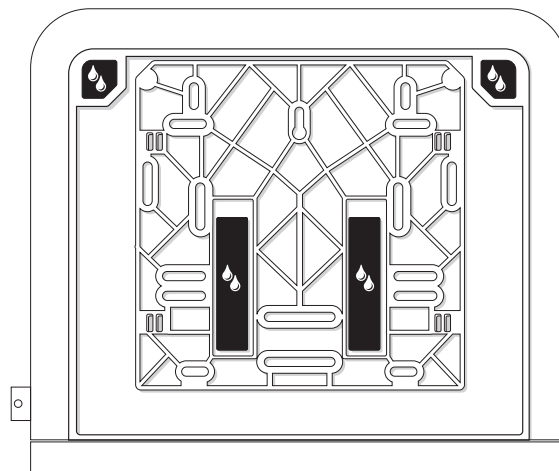
Needed tools



Assembly plate



or glue



hang and fix (inside)

For a problem-free operation use only WEPA Professional OEM consumables

www.wepa-professional.de



i

folded towel dispenser

ASSEMBLY INSTRUCTIONS



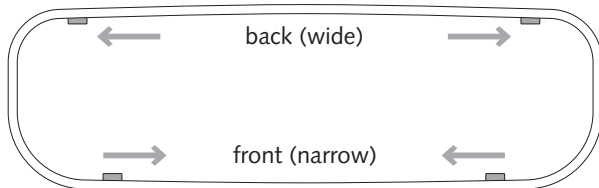
Professional Hygiene



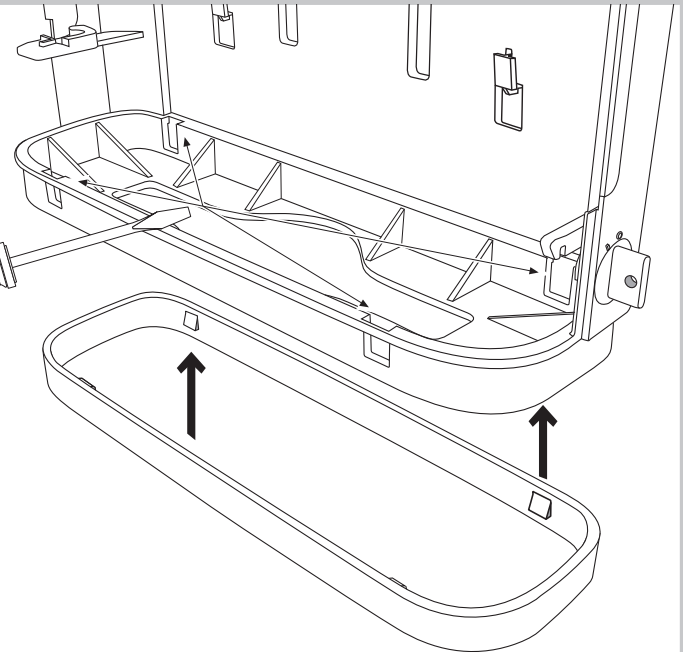
+ 331010.1

Art. No.: 331020.1

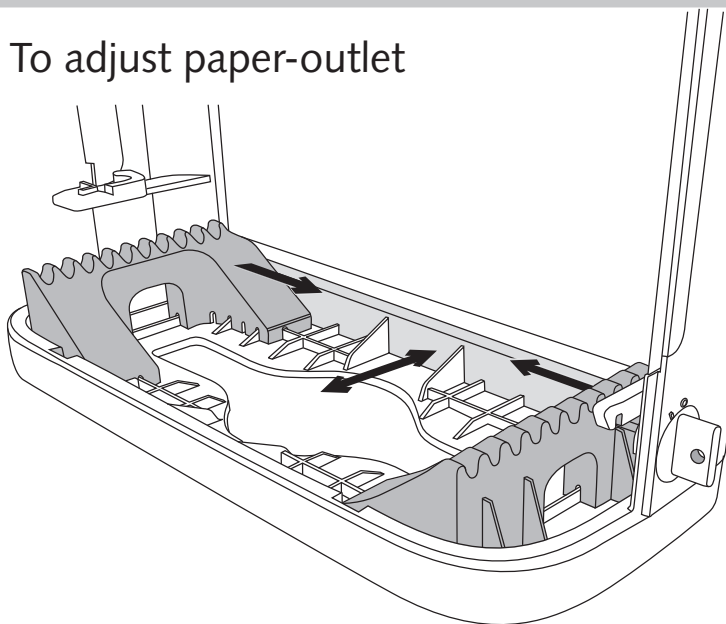
design-ring



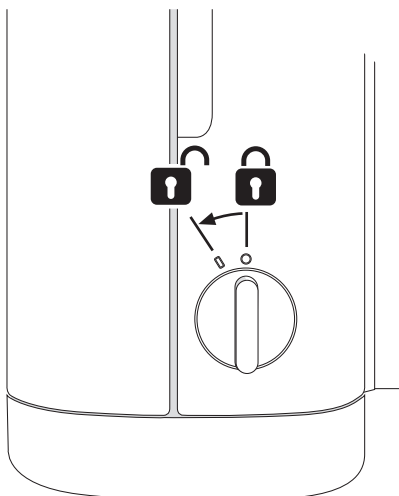
to remove, use screwdriver



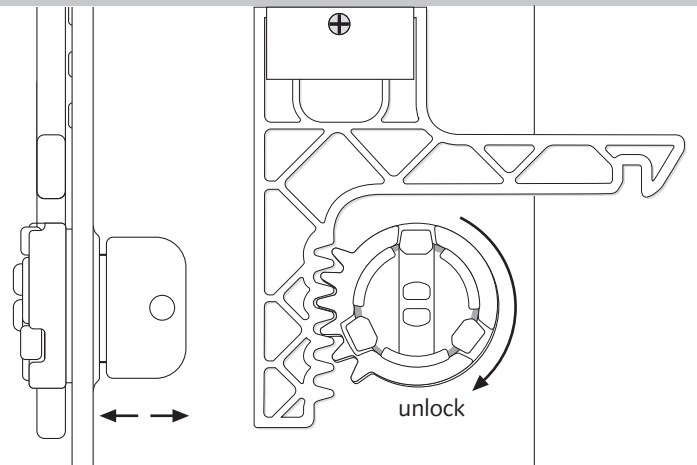
To adjust paper-outlet



Key-Lock



Standard Lock



Permanent-Key

adjust shim to lock

