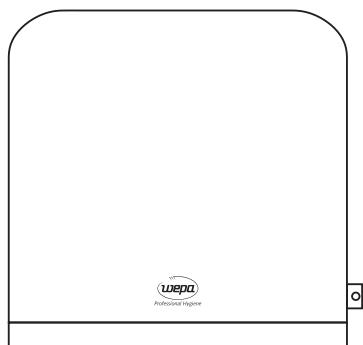
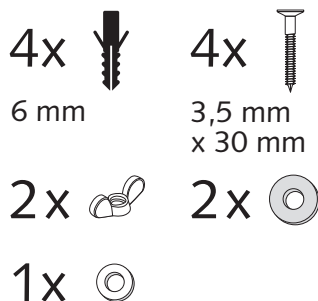
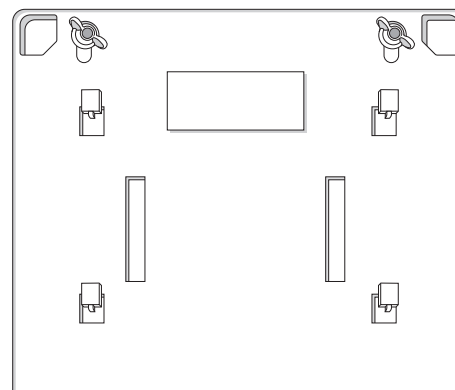
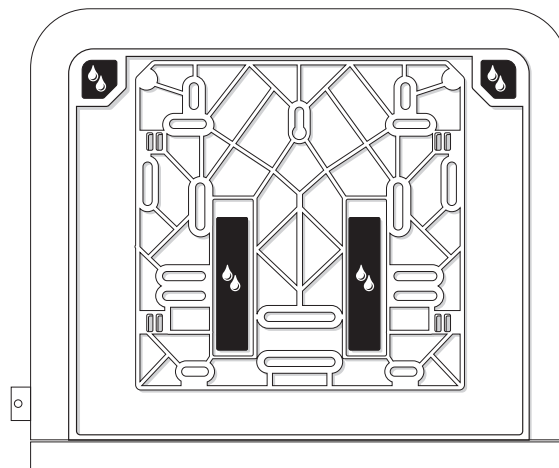
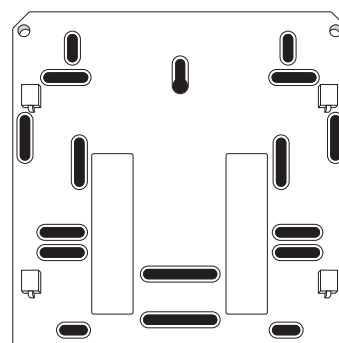
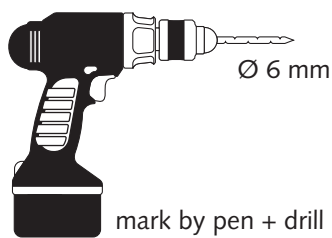


**i**

Professional Hygiene



# interfold towel dispenser

*Falhandtuch-Spender-Interfold**Distributeur essuie-mains pliés Interfold**Dozownik do ręczników składanych Interfold***ASSEMBLY INSTRUCTIONS**Art. No.: **331030.1****Supplied****Needed tools****Assembly plate**

hang and fix (inside)

For a problem-free operation  
use only WEPA Professional  
OEM consumables

[www.wepa-professional.de](http://www.wepa-professional.de)

**i**

# interfold towel dispenser ASSEMBLY INSTRUCTIONS

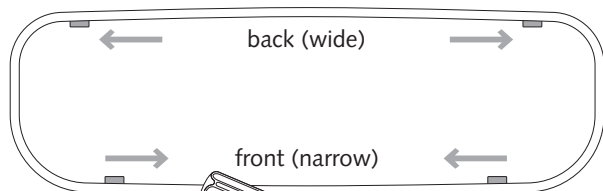


Professional Hygiene

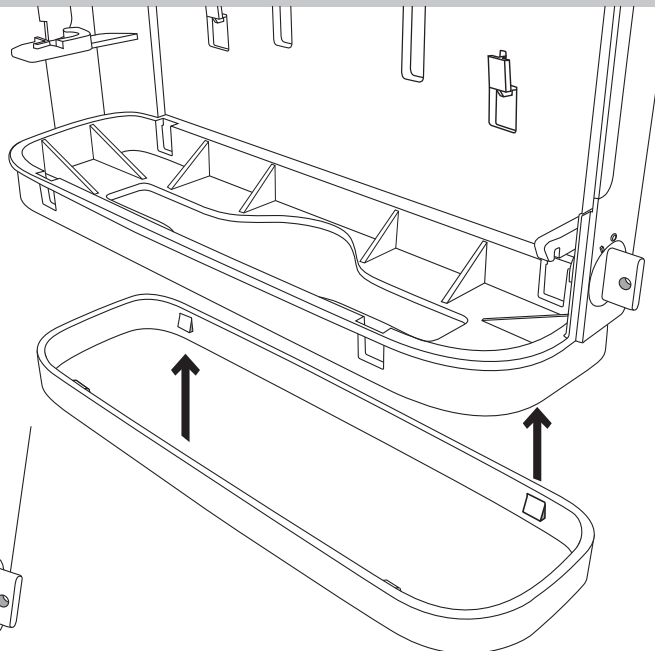
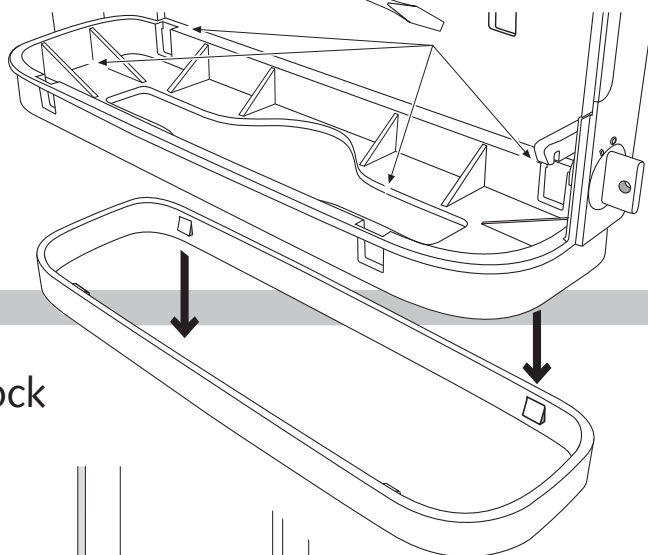


Art. No.: 331030.1

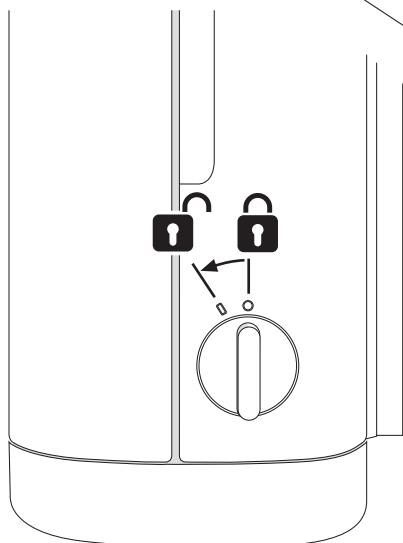
## design-ring



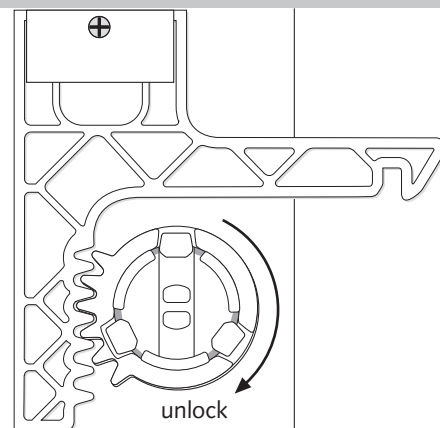
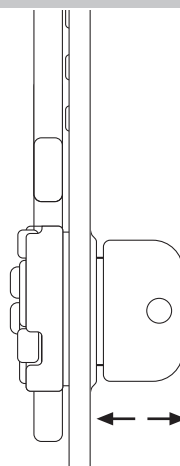
to remove, use screwdriver



## Key-Lock



### Standard Lock



### Permanent-Key

adjust shim to lock

