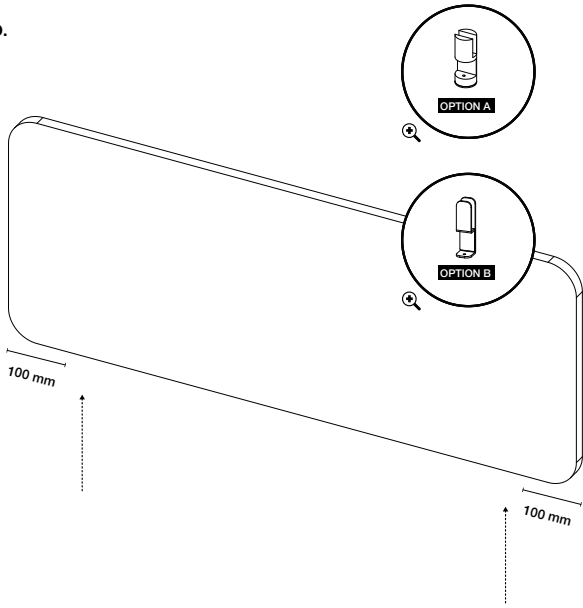
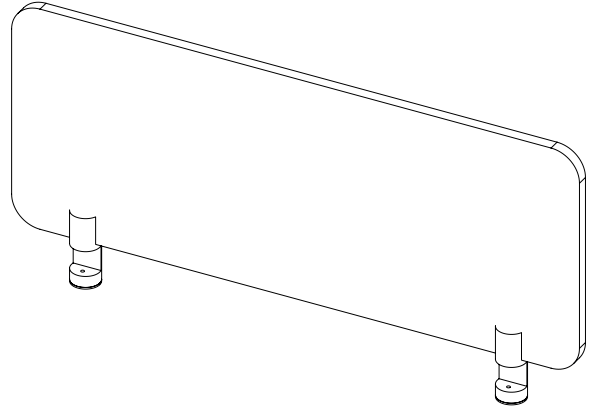


1

1x.A.
2xC. or 2xD.

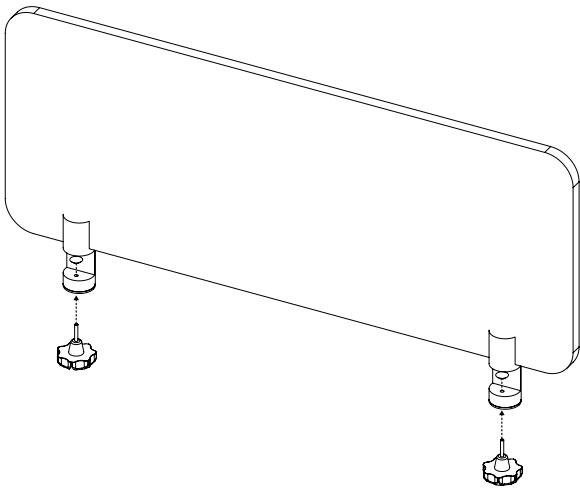


2

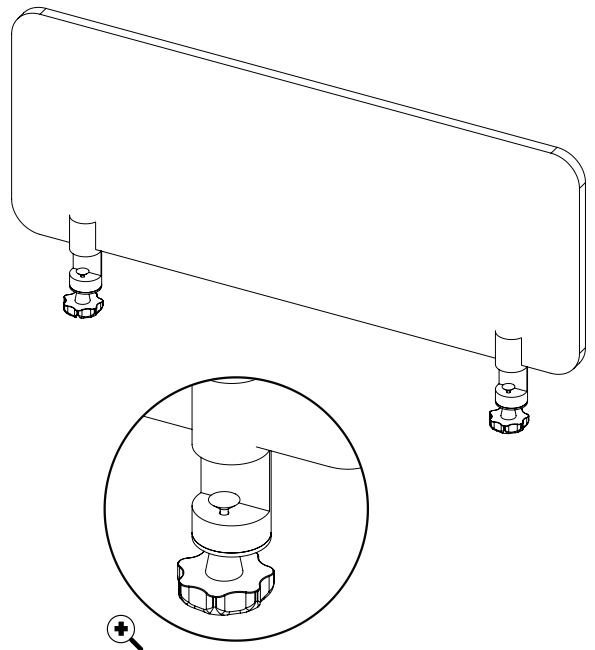


3

2xB.



4



A.1x

B.2x

C.2x
OPTION A

D.2x
OPTION B

